

SLP DVGW

triogen[®] UV SLP offers a compact and high efficiency disinfection system for drinking water applications. These systems provide advanced lamp and vessel efficiency with a range of options including energy saving features, for disinfection and improved water quality.

APPLICATIONS

- Drinking water
- Potable water
- Bottled water

BENEFITS

- Safely control background levels of general bacteria
- Significant improvement in water clarity
- Simple control logic / easy to operate
- Low capital and installation costs, with minimal service and plant room space required
- Low service requirements

MAIN FEATURES

- Validated to DVGW drinking water standard
- High intensity long life 16,000 hour low pressure UV lamps
- Advanced lamp efficiency and low power setting function
- High germicidal efficiency "L" design reactor (in-line water inlet)
- 316L stainless steel vessel
- Automatic "Smartdrive" wiper system and UV monitor
- Quick release powerhead for easy lamp replacement
- Data logging, BMS, Ethernet and Modbus communication ready
- CE certified, manufactured to ISO 9001 : 2015

UV TECHNOLOGY

- Low pressure monochromatic ultraviolet (UV) light is highly effective means to inactivate bacteria and viruses, and will oxidise organic species in water.
- UV disinfection consists of a physical, chemical free process, directly attacking the vital DNA of bacteria, micro-organisms and parasites.
- UV technology will easily enhance the disinfection and oxidation of drinking water processes.



SLP DVGW

TECHNICAL DATA MODEL ^[**]	Flow Rates ^[1]	Flow Rates ^[2]	Lamp Power	Inlet/outlet Connections Sizes (mm)**				Maintenance Area mm (LxWxH)	Control Panel Dimensions mm (LxWxH)
	m ³ /h	m ³ /h		150	250	350	400		
SLP250-150-2 DW	54	25.8	2 x 200W	X				3300x375x425	600x200x600
SLP250-150-4 DW	74	47	4 x 200W	X				3300x375x425	600x200x600
SLP300-250-8 DW	187	118	8 x 200W		X			3300x425x500	800x200x800
SLP400-350-12 DW	319	213	12 x 200W			X		3300x525x600	800x200x800
SLP600-400-20 DW	528	275	20 x 200W				X	4200x730x900	1000x200x800

(1) flow rates based on a dose of 40mJ/cm² at 95% UVT end of lamp life 16,000 hours based on max 3 on/off cycles per day
 (2) flow rates based on a dose of 40mJ/cm² at 90% UVT end of lamp life 16,000 hours based on max 3 on/off cycles per day
 (3) standard electrical supply ranges 220-240V/1ph/50-60Hz. Supply must be confirmed with order.

QUALITY STANDARDS

- ISO 9001 : 2015
- DVGW validated
- CE Approved

MATERIALS

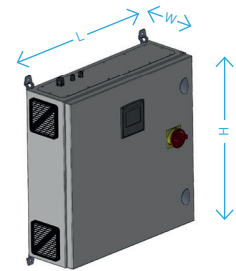
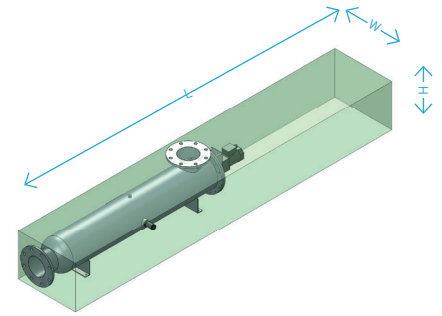
- Reactor Vessel: 316L stainless steel, rated to 10 Bar(g)
- Flanges: BS EN1092 PN10 or ANSI 150
- Lamp: high purity quartz
- Thimble: high purity quartz
- Panel: polyester coated mild steel, IP54 protection

OPTIONS

- Reactor vessel and wetted parts in titanium material
- IP panel rating and materials
- 316L stainless steel ancillaries

REMOTE CONTROL AND SIGNALS

- BMS connectivity with data logging
- Local and remote:
 - * UV lamp on/off or fault
 - * UV intensity in W/m², mJ/cm² or % requires a 4-20mA signal from a water flowrate measuring device (not supplied)
 - * Fault alarms
 - * Reactor / panel high temperature
 - * MCB1 (RCD) Trip / Wiper motor MCB trip
 - * Remote control on/off
 - * Low power on
 - * Lamp change required
- Local:
 - * Manual wipe / Auto wipe
 - * Lamp hours
 - * Languages options
 - * Spare parts guidance
 - * Data logging trends (lamp current, temperature, UV Intensity)
- Power Down Option



CONTACT

Triogen Limited
 Unit 14 Langlands Place, East Kilbride G75 0YF
 Scotland, United Kingdom
 Tel: + 44 (0) 13 55 220 598
 Fax: + 44 (0) 13 55 570 058
www.triogen.com
info@triogen.com



Your local distributor: