

MS300/400 Bag-in-Bag



Get double the quality, efficiency and value with our rugged, compact MS300/400 BiB – the premier VFFS machine for all types of bag-in-bag applications, from airline/hotel single serve coffee packs to multiple smaller packs in one master bag.

max. speed



100
bpm

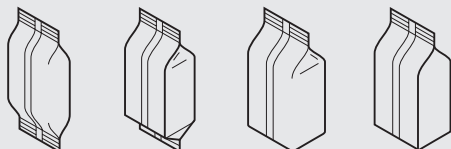
bag size



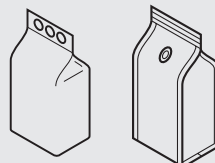
max.
400 × 500 mm (15.74" × 19.68")
min.
60 × 60 mm (2.36" × 2.36")



Bag Types



Bag Options



MS300/400 Bag-in-Bag In Detail

The MS300/400 Bag-in-Bag machine is a Rugged VFFS machine perfect for packaging fractional packs of coffee, candy, or snacks at up to 100 cycles per minute.

Using the best-in-class technology and combining the MS300 machine on the top and the MS400 on the bottom, this machine is exceptional on the market.

features



- Robust stainless steel frame
- Enclosed, direct drive jaw actuation
- Off-the-shelf components
- Minimal maintenance requirements
- Short film path
- Small machine footprint
- No tool change-over
- End-seal cooling air
- Self-centering pull belts
- Manual or automatic film tracking
- VFD powered film unwind
- Quick film splice table
- Product stagers
- Bag defleators
- Photo eye and encoder
- Jaw obstruction detection
- Runs most film structures
- Storage for 100 product recipes

options



- Siemens or Allen Bradley control platform
- Vacuum pull belts
- Gas flush
- Static eliminator
- Tear notch
- Remote diagnostics
- In-feed and take-away conveyors
- Integration with variety of fillers, printers, metal detectors, label applicators, and checkweighers

Max. speed
100 bpm

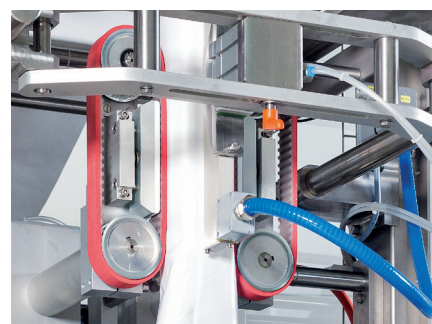
Weight
1 800 kg (3,960 lbs)

Bag width
60–400 mm
(2.36"–15.74")

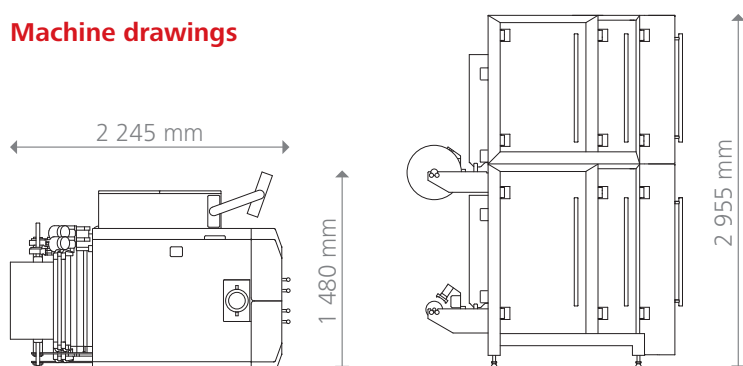
Air pressure
6 bar
(15–18 CFM at 90 PSI)

Bag length
60–500 mm
(2.36"–19.68")

Power supply
6 kVA



Machine drawings



Europe, Asia, Africa, Australia

Viking Mašek, a.s. | Průmyslová 1747 | 258 01 Vlašim | Czech Republic

Phone +420 317 850 500 | Email info@masek.cz | Website www.masek.cz, www.vikingmasek.cz

North and South America

Viking Masek Global Packaging Technologies, Inc. | 40 Woodland Court | Oostburg, WI 53070 | USA

Phone +1 920 564 5051 | Email sales@vikingmasek.com | Website www.vikingmasek.com